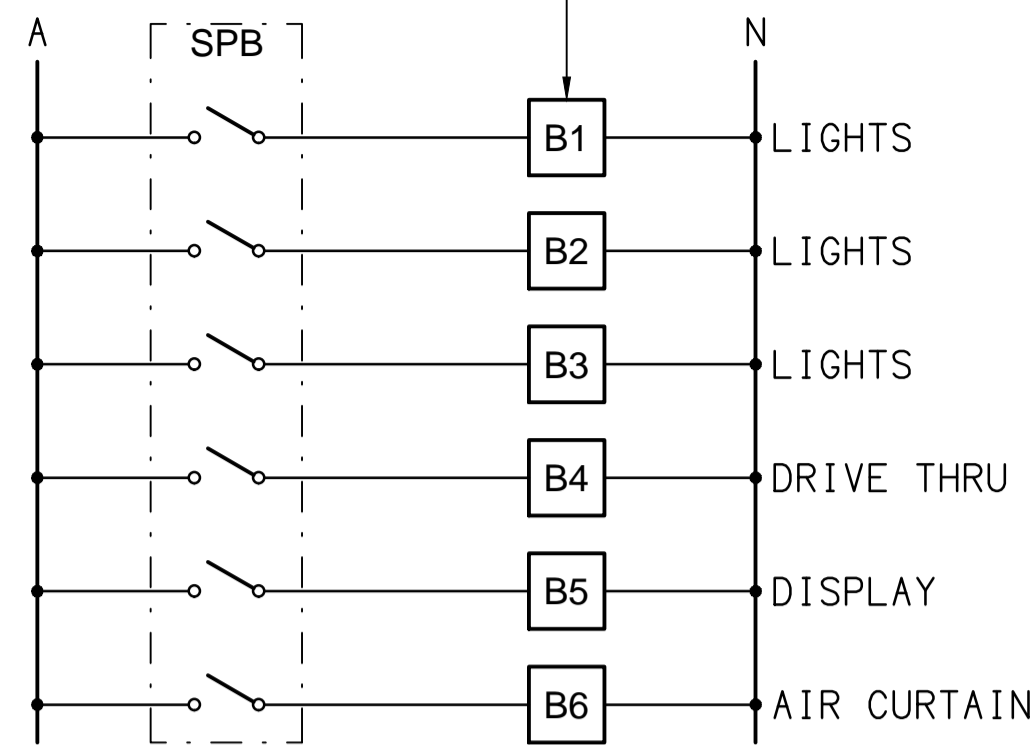
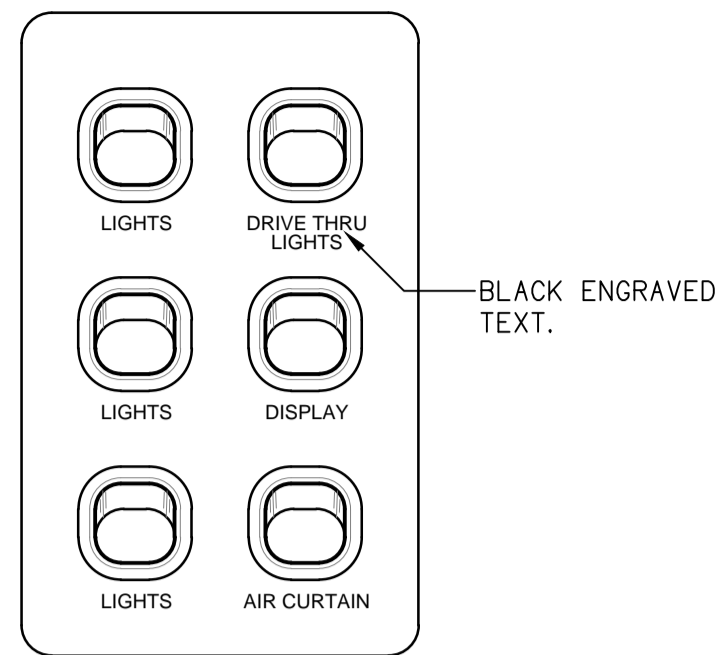


CONTACTORS TO CONTROL THE ASSOCIATED CIRCUITS NOMINATED IN THE DISTRIBUTION BOARD DB-B SCHEDULE.



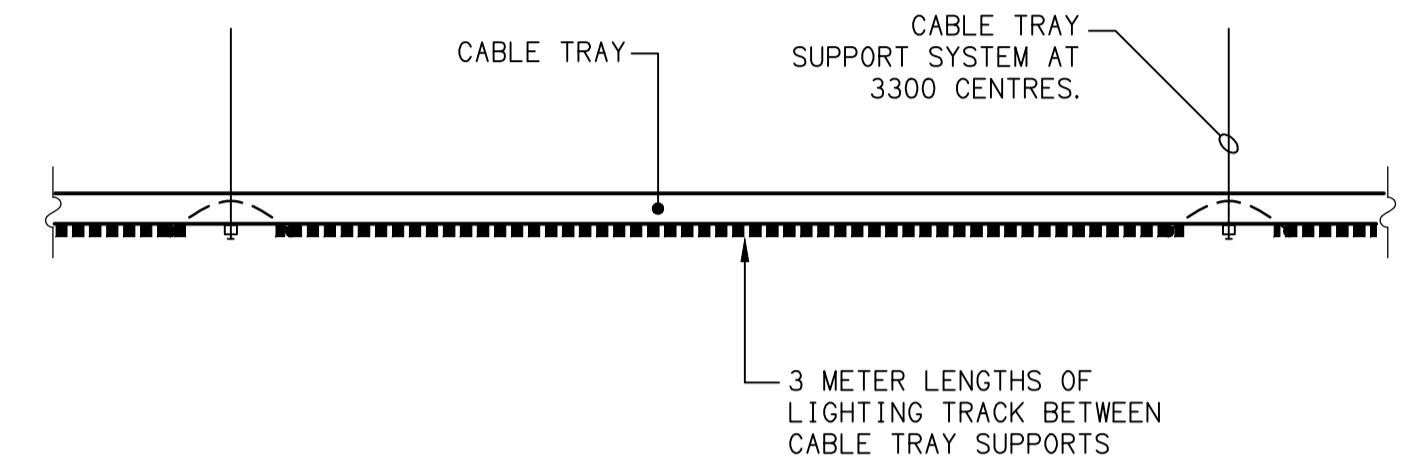
**SCHEMATIC**

SWITCHPANEL SPB CONFIGURATION  
NOT TO SCALE



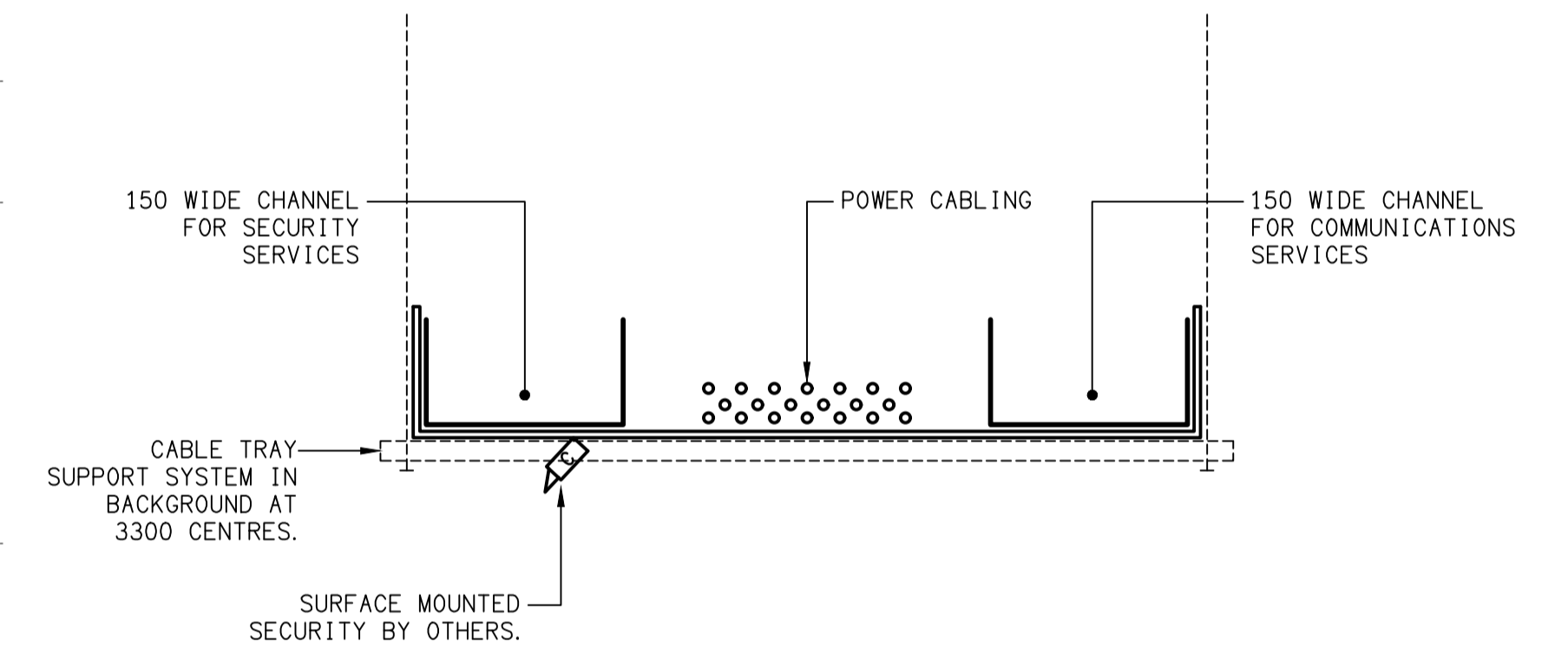
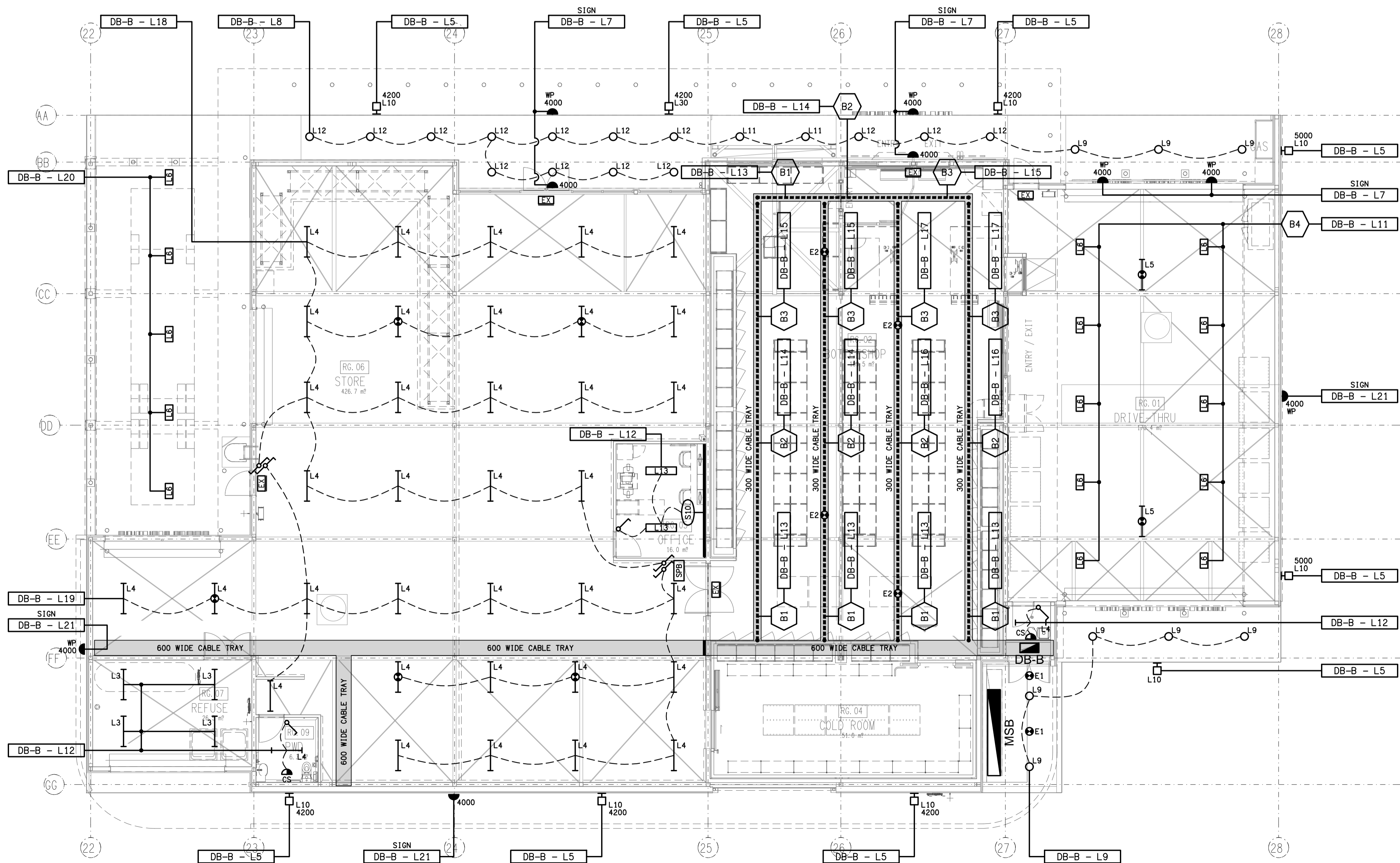
**DETAIL**

SWITCHPANEL SPB ELEVATION  
NOT TO SCALE



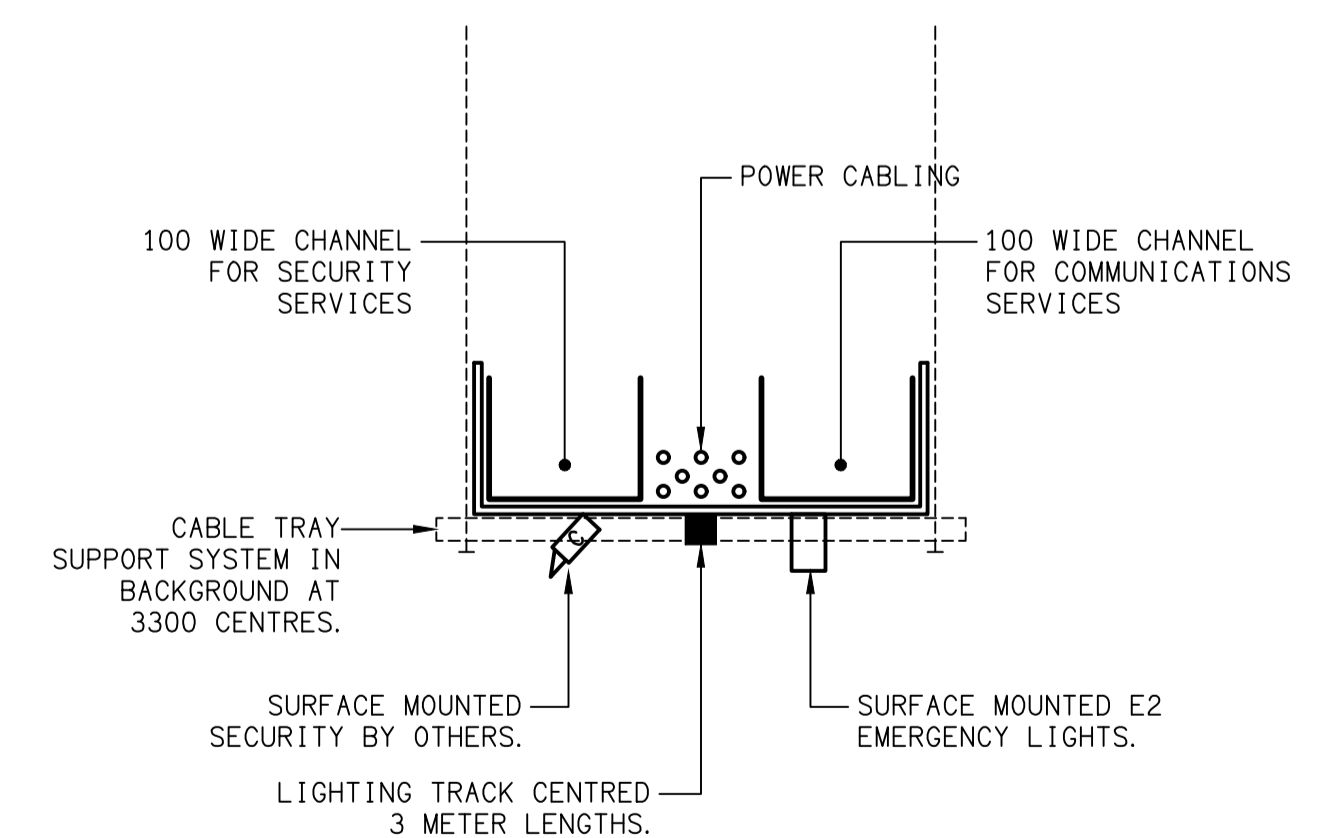
**DETAIL A**

GENERIC CABLE TRAY LINEAR ELEVATION  
SCALE 1:25



**DETAIL B**

600 WIDE CABLE TRAY SECTION  
NOT TO SCALE



**DETAIL C**

300 WIDE CABLE TRAY SECTION  
NOT TO SCALE

ELECTRICAL DESIGN GROUP BRISBANE  
PTY LTD  
ACN 092 710 793  
TRADING AS:  
ELECTRICAL DESIGN GROUP

THE COPYRIGHT OF THIS DRAWING  
REMAINS THE PROPERTY OF THE  
ELECTRICAL DESIGN GROUP.

USE FIGURED DIMENSIONS  
IN PREFERENCE TO SCALE.

ALL DIMENSIONS TO BE  
VERIFIED ONSITE.

**ELECTRICAL DESIGN GROUP**  
ELECTRICAL BUILDING SERVICES CONSULTANTS  
BRISBANE GOLD COAST

P.O. Box 15, Sherwood Q. 4075  
Phone: (07) 3278 4375  
Email: brisbane@edg.net.au  
Web: www.edg.net.au

PROJECT:  
**DRY DOCK ROAD HOTEL,  
TWEED HEADS SOUTH**

CORNER DOCK ROAD & FRASER DRIVE, NEW SOUTH WALES

F	CONSTRUCTION	10/04/2026
REV:	DESCRIPTION:	DATE:

DRAWING:  
**ELECTRICAL SERVICES  
BOTTLE SHOP REFLECTED CEILING PLAN**

SCALE: 1:100	AT A1	PROJECT NO: <b>C2864a</b>	DRAWING NO: <b>E09</b>	REVISION: <b>F</b>
-----------------	-------	------------------------------	---------------------------	-----------------------